



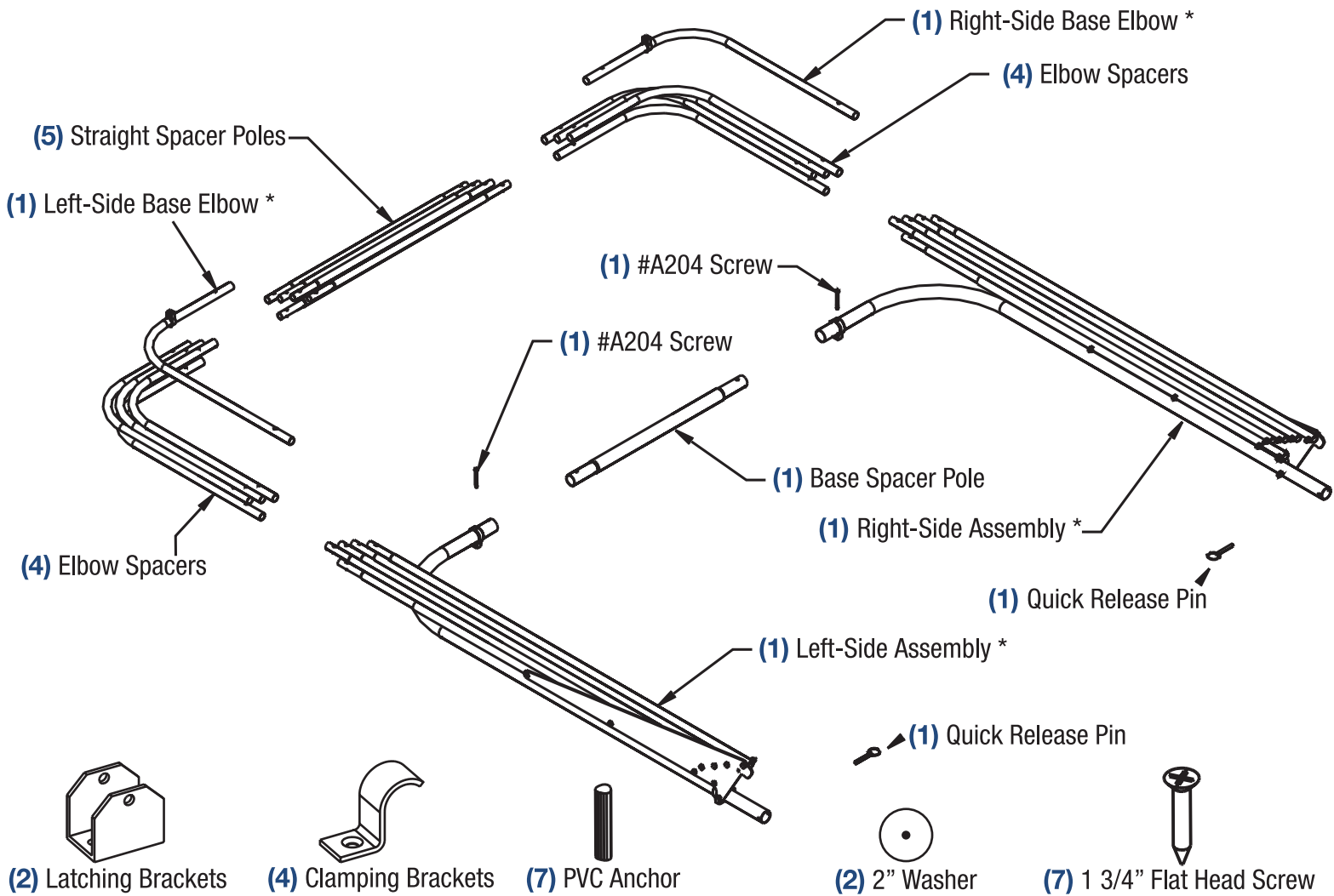
ASSEMBLY INSTRUCTIONS

Parts Included: (Shown in below Figure #1)

- (1) CycleDome Cover, (1) Left-Side Assembly, (1) Right-Side Assembly, (2) Quick Release Pins,
- (1) Base Spacer Pole, (2) #A204 Screws, (1) Right-Side Base Elbow, (1) Left-Side Base Elbow,
- (8) Elbow Spacers, (5) Straight Spacer Poles, (4) Clamping Brackets, (2) Latching Brackets,
- (7) 1 3/4" Flat Head Screw, (7) PVC Anchor, (2) 2" Washers

Tools Needed for Assembly: Screwdriver and Pliers

FIGURE 1: (Parts Detail)

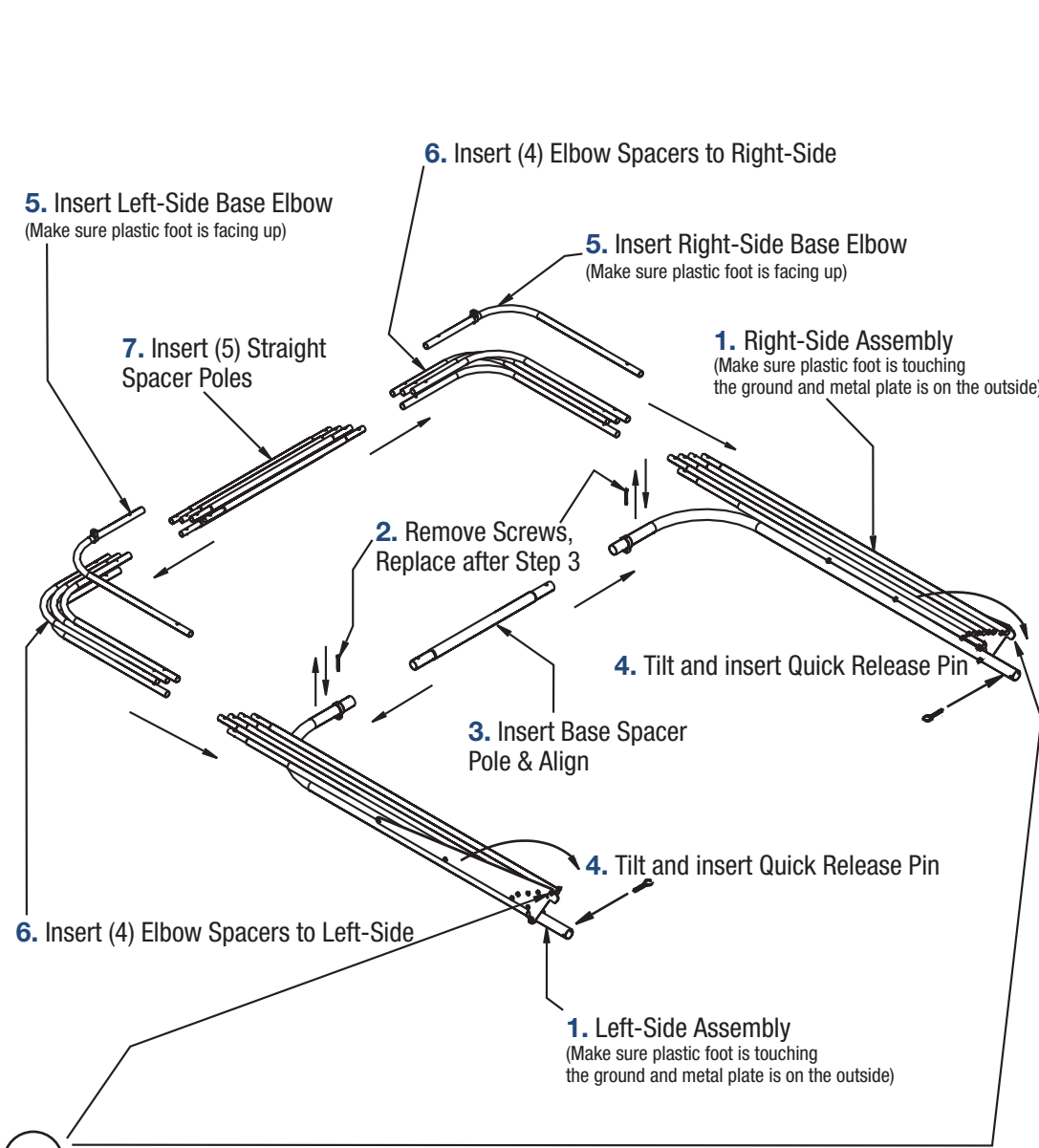


* TIP: On the Left-Side & Right-Side base elbows make sure the plastic foot piece is pointing upwards when assembling, On the Left-Side & Right-Side Assembly piece make sure the plastic foot piece is pointing down (touching the ground) and the metal plate is on the outside.



ASSEMBLY INSTRUCTIONS

FIGURE 2: (Frame Assembly Steps)



1. Setup Left and Right Side Assembly as shown

2. Remove #A204 Screws, replace and tighten after Step #3

3. Insert Base Spacer Pole and align the holes

4. Tilt the left-side assembly and insert (1) Quick Release Pin, then insert (1) Quick Release Pin to right-side (If you need help look at Figure 3)

5. Insert Left-Side Base Elbow to top pole of Left-Side Assembly, then insert Right-Side Base Elbow to top pole of Right-Side Assembly (Make sure that the plastic foot piece is facing up)

6. Insert (4) Elbow Spacers to the remaining poles on the Left-Side Assembly and then (4) to the Right-Side Assembly

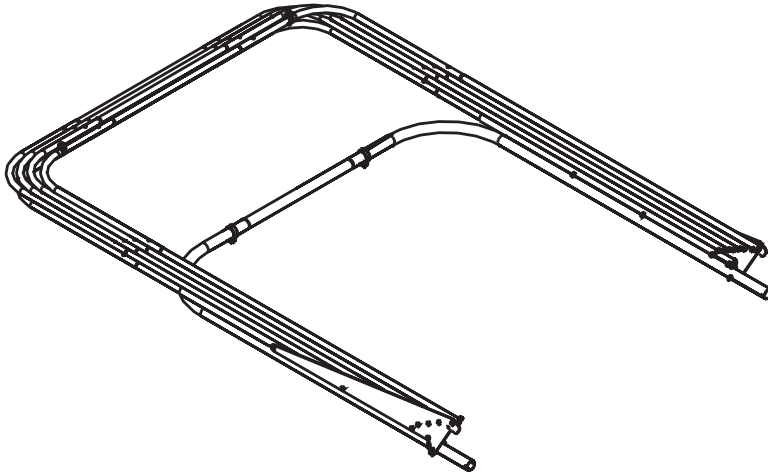
7. Insert (5) Straight Spacer Poles between the Elbow Spacers on the Left-Side and then connect all to the Right-Side Elbow Spacers

****** If you are not securing the CycleDome with the Hard or Soft Surface kits, then you **MUST** install the 2" Washers before Step #2 of Frame Assembly Steps (Install the (2) 2" washers at the pivot point shown by removing the nut and bolt. Place the washer between the 1" frame tube and the first hoop that touches the ground.)



ASSEMBLY INSTRUCTIONS

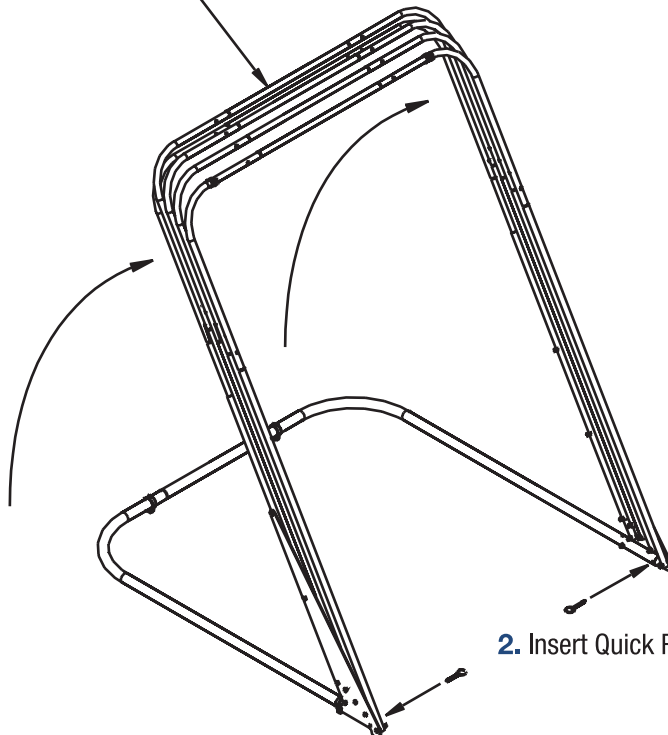
FIGURE 3: (Frame Assembly Steps)



Finished results after all steps in Figure 2 have been completed

FIGURE 4: (Frame Assembly Steps)

1. Position Dome Hoops



2. Insert Quick Release Pins

***** VERY IMPORTANT *****
DO NOT MISS THIS STEP

1. Tilt Hoops and position Dome Hoops as shown in Figure 4

2. Insert (1) Quick Release Pin to Left-Side Assembly and then insert (1) to the Right-Side Assembly to hold hoops in position (This is the best time to secure the dome frame to the ground with the supplied hardware, please see Figure 8)

ASSEMBLY INSTRUCTIONS

FIGURE 5, 6, 7: (CycleDome Cover Steps)

FIGURE 5



1. Drape the cover over yourself with front end ahead and cover the frame assembly as shown in Figure 5

2. While inside the dome, Velcro the Base Pole all the way around as shown in Figure 6

3. Velcro the cover to the Fixed Pole Hoop as shown in Figure 7

4. Continue to fasten the remaining Hoops to the cover. Careful adjustments of the Velcro cover Fasteners can tune the fitting of the Cover to the Frame as shown in Figure 7

ENJOY THE ENVIRONMENTALLY SAFE CYCLE DOME COVER SYSTEM!



FIGURE 6

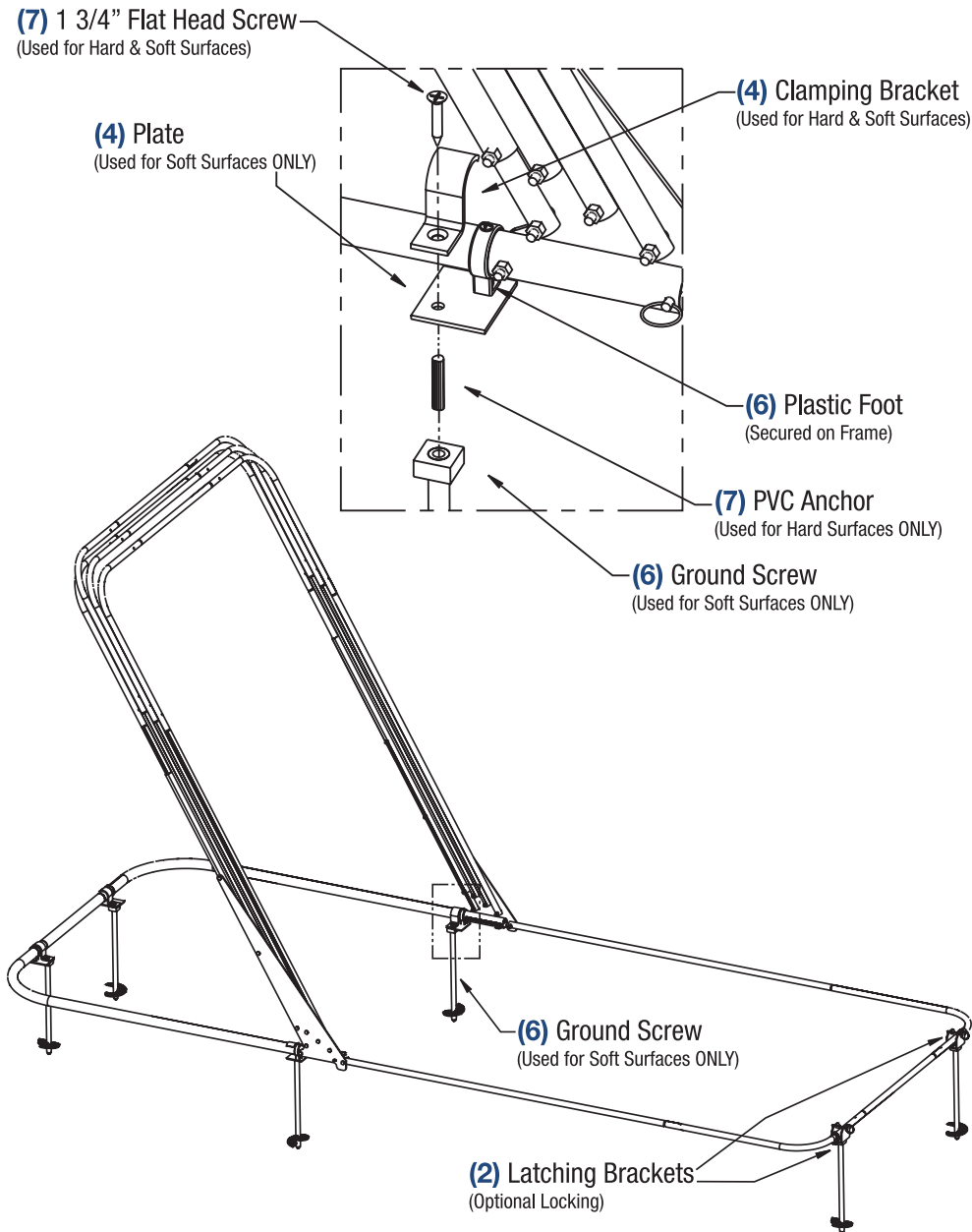


FIGURE 7



ASSEMBLY INSTRUCTIONS

FIGURE 8: (Hard & Soft Surface Mounting)



SOFT SURFACE INSTRUCTIONS

1. Set the Dome on its intended secured location
2. From inside the Dome push the ground screws into the ground to mark the 6 locations where the plastic feet touch the ground
3. Carefully screw the ground screws into the earth, stay vertical until 1/4" above ground
4. With the 1 3/4" screw, follow the diagram by putting it through the clamp or latching brackets, frame, and plate. Hand tighten screw.

HARD SURFACE INSTRUCTIONS

1. Locate Dome to a hard flat surface, such as cement, asphalt, etc.
2. From inside the dome mark 1" to the side of where the 6 plastic feet touch the ground.
3. Remove the dome from area and drill (6) holes to suit (6) PVC Anchor, Drill the holes 1 1/2" deep by 5/16"
4. Reposition the dome over the anchors and in front (4) install (4) clamping brackets and secure with screw. At the rear install the (2) latching brackets with screws.

OPTIONAL LOCKING

1. Use a padlock through the latching brackets at the rear of the Cycle Dome (Padlock sold separately)



MANUFACTURER'S GUARANTEE

The CycleDome is guaranteed for one year against defects in workmanship and materials. Repair or replacement will be upon receipt of product by CycleDome freight prepaid. Please contact the place of purchase prior to shipping for warranty work.

THE CYCLEDOME IS NOT GUARANTEED AGAINST ALL WEATHER

The outdoor CycleDome is not guaranteed to withstand high winds or heavy snow. Please use the CycleDome with caution during unfavorable weather, severe weather, and natural disaster conditions.

**IF YOU HAVE ANY QUESTIONS,
PLEASE CALL US AT 1-219-947-1735**